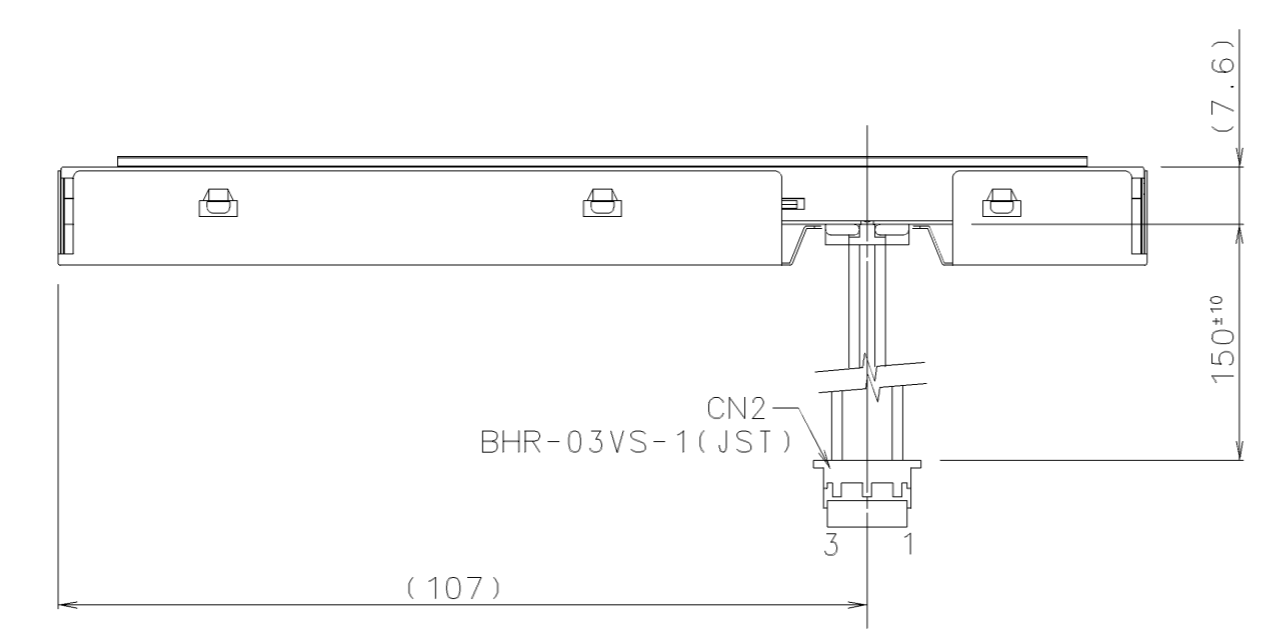
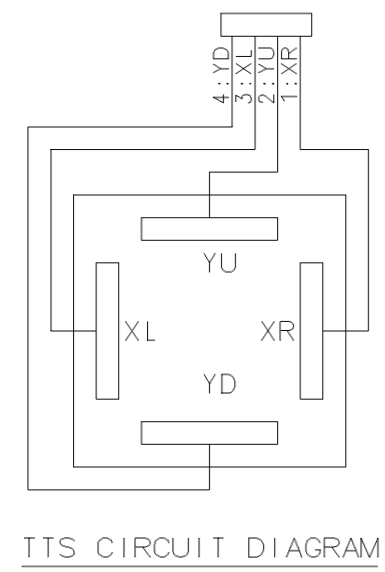
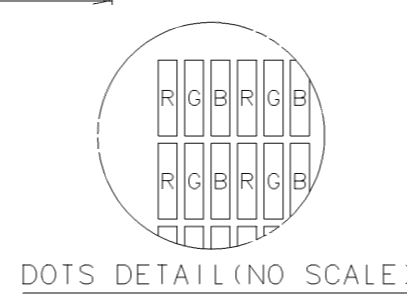
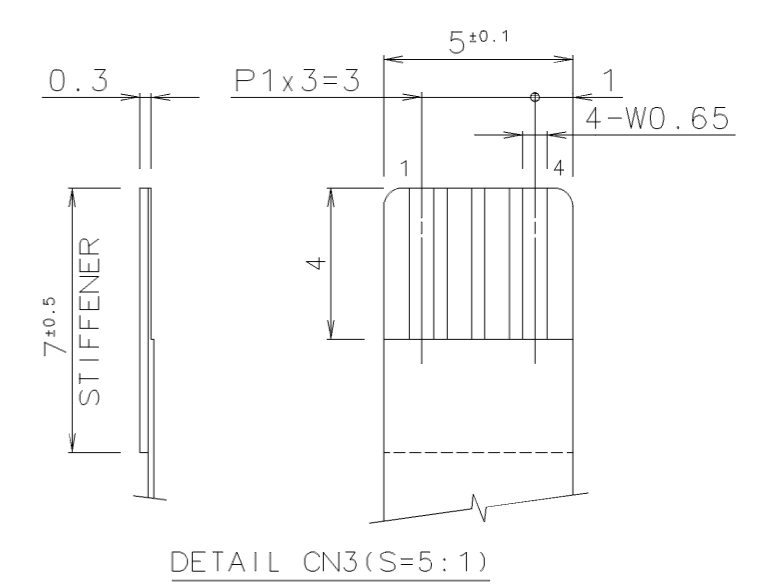


VIEWING DIRECTION :
DIRECTION THAT YOU CAN SEE THE DISPLAY MOST CLEARLY.



PIN ASSIGNMENT

CN1		CN2	
No.	SYMBOL	No.	SYMBOL
1	GND	17	G4
2	CK	18	G5
3	HSYC	19	GND
4	VSYC	20	B0
5	GND	21	B1
6	R0	22	B2
7	R1	23	B3
8	R2	24	B4
9	R3	25	B5
10	R4	26	GND
11	R5	27	ENAB
12	GND	28	VCC(3.3V)
13	G0	29	VCC(3.3V)
14	G1	30	R/L
15	G2	31	U/D
16	G3	32	NC
		33	GND



NOTES
1. THE DIMENSIONS WITH THE MARK (●) ARE CONTROLLED AS A PARTICULAR CHARACTERISTIC.
2. TOLERANCE WITHOUT INDICATION: ±0.5

TOLERANCE			
MEASURE	A	B	C
L≤16	±0.1	±0.3	±1
16<L≤63	±0.2	±0.5	±1.5
63<L≤250	±0.3	±0.8	±2
250<L≤500	±0.5	±1.2	±3
500<L	±0.8	±2	±4
ANGLE	±1°	±5°	±10°

MATERIAL:		FINISH:	
DATE 2008/08/09	THIRD ANGLE PROJECTION	OPTREX CORPORATION	
APPROVED Noboru Wada	SCALE UNIT 1:1 mm	TITLE DIMENSIONAL OUTLINE	
CHECKED Yasuo Yamaguchi	DATE JUN.10'08	DWG NO.(CODE) T-55264AD base	
DRAWN Satoshi Sano	DSGN S. Sano	DWG SIZE A2	DWG REV A