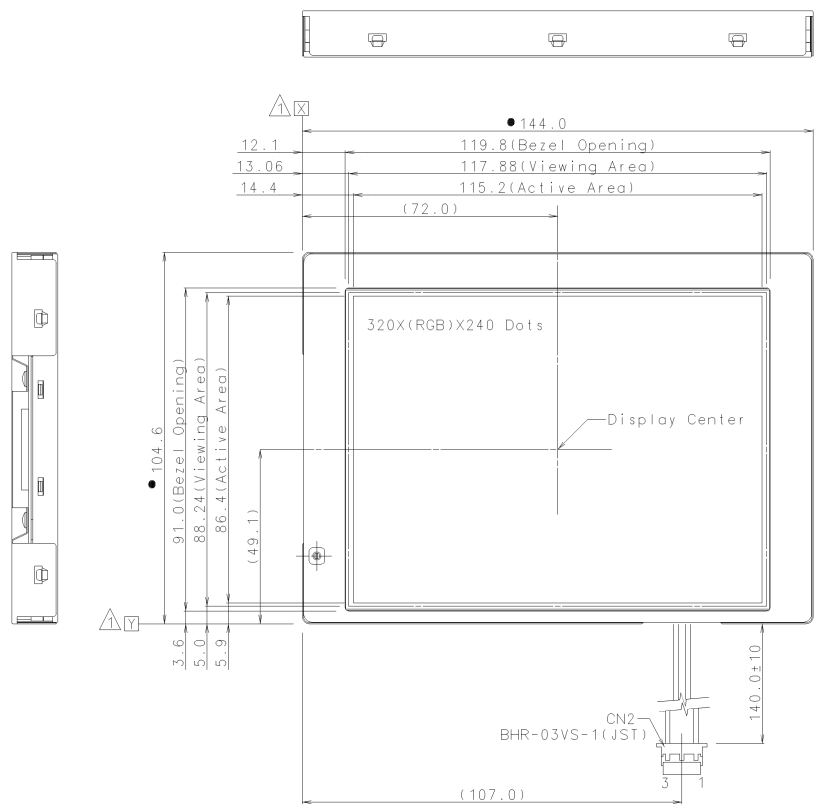
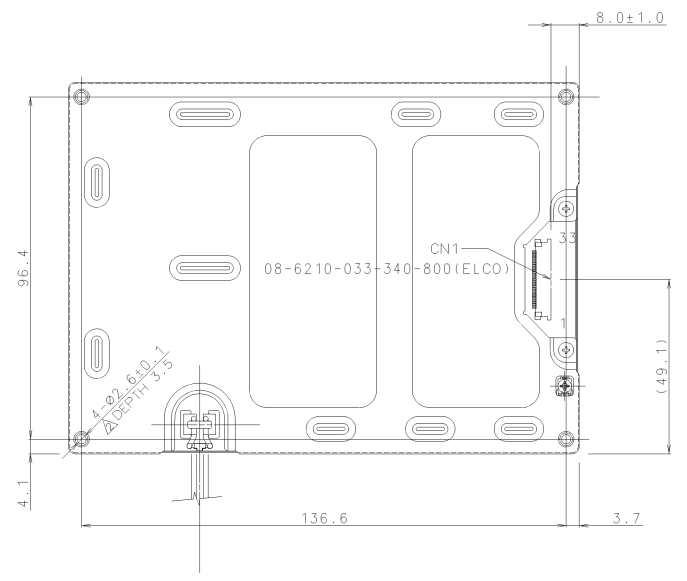


| ISSUE | REVISIONS | DRAWN | DATE |
|-------|----------------------|-------------|-----------|
| △ | Correction | S.Mizobuchi | MAR.10'08 |
| △ | ADDED THE DIMENSION. | S.SANO | APR.10'08 |



↑ VIEWING DIRECTION
DIRECTION THAT YOU CAN SEE THE DISPLAY MOST CLEARLY.



PIN ASSIGNMENT

| CN1 | | | |
|-----|--------|-----|------------|
| No. | SYMBOL | No. | SYMBOL |
| 1 | GND | 17 | G4 |
| 2 | CK | 18 | G5 |
| 3 | HSYC | 19 | GND |
| 4 | VSYC | 20 | B0 |
| 5 | GND | 21 | B1 |
| 6 | R0 | 22 | B2 |
| 7 | R1 | 23 | B3 |
| 8 | R2 | 24 | B4 |
| 9 | R3 | 25 | B5 |
| 10 | R4 | 26 | GND |
| 11 | R5 | 27 | ENAB |
| 12 | GND | 28 | VCC(03.3V) |
| 13 | G0 | 29 | VCC(03.3V) |
| 14 | G1 | 30 | R/L |
| 15 | G2 | 31 | U/D |
| 16 | G3 | 32 | NC |
| | | 33 | GND |

| CN2 | |
|-----|--------|
| No. | SYMBOL |
| 1 | HV |
| 2 | NC |
| 3 | GND |

NOTE
1. THE DIMENSIONS WITH THE MARK (●) ARE CONTROLLED AS A PARTICULAR CHARACTERISTIC.
2. Tolerance without indication: ±0.5

| MEASURE | TOLERANCE | | |
|-----------|-----------|------|------|
| | A | B | C |
| L≤16 | ±0.1 | ±0.2 | ±1 |
| 16<L≤63 | ±0.2 | ±0.3 | ±1.5 |
| 63<L≤250 | ±0.3 | ±0.5 | ±2 |
| 250<L≤500 | ±0.5 | ±1 | ±3 |
| 500<L | ±0.8 | ±2 | ±4 |
| ANGLE | ±1° | ±5° | ±10° |

| | | | | | |
|-----------|-------------------|------------------------|-------------|---------------------|-----------------|
| MATERIAL: | | THIRD ANGLE PROJECTION | | FINISH: | |
| DATE | 2008/04/11 | SCALE | UNIT | TITLE | |
| APPROVED | Toshiyuki Okamoto | 1:1 | mm | OPTREX CORPORATION | |
| CHECKED | Shuji Mizobuchi | DATE | JUN.12'08 | DIMENSIONAL OUTLINE | |
| DRAWN | Satoshi Sano | DSGN | S.Mizobuchi | DWG NO/CCODE1 | T-55264 AA base |
| | | DWG SIZE | A2 | DWG REV | B |