

DC-AC INVERTER UNIT

PS-TPC154C-10

(PRELIMINARY INFORMATION)

DESCRIPTION :

This DC to AC Inverter was developed for many other low LCD Backlight power supply as low profile applications, either for LCD Monitor or Industrial PC. This inverter is optimized for **Optrex Displays: AA150XN02; -03; -04 and T-51511D150FW-A-AC.**



APPLICABLE LCD:

- 15 to 20 inches quad lamp type
- Lamp Voltage 570Vrms
- Lamp Current 6,5..7,0mArms
- Lamp Start Up Voltage 1.500Vrms (Vin : 12V)

FEATURES :

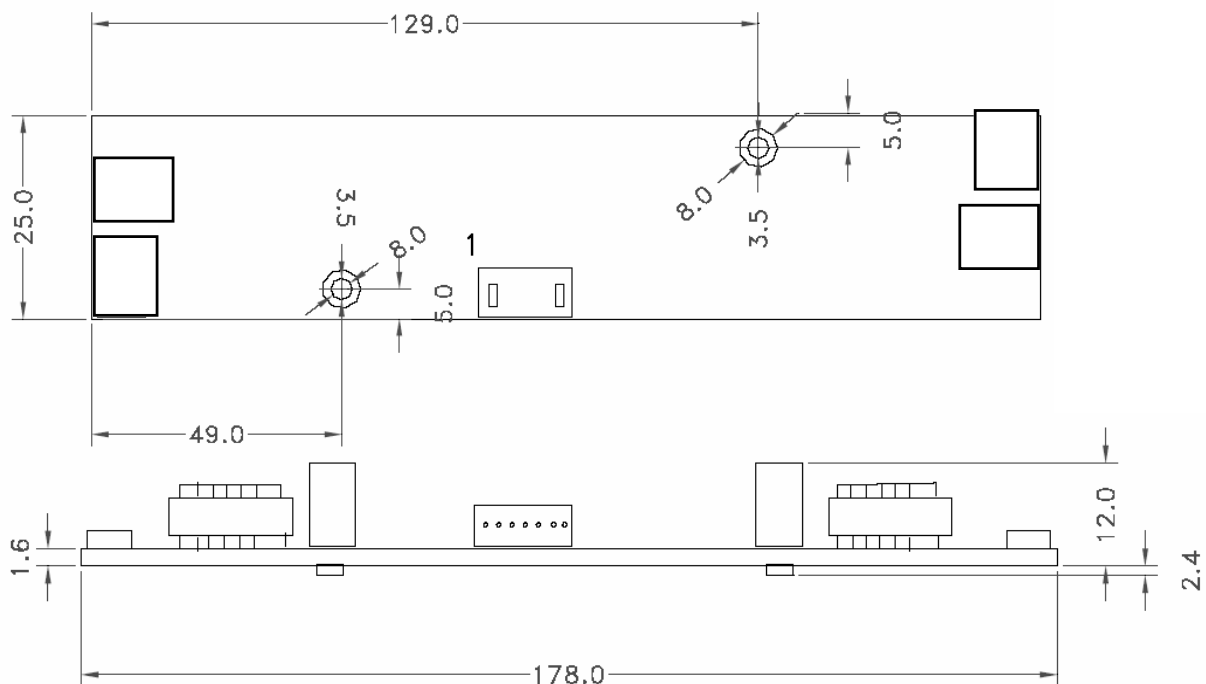
- Current Feedback Circuit
- High Efficiency
- Internal Voltage Dimming
- Regulated output current

TEMPERATURE & HUMDITY :

- Operating Temperature Range 0° C ~ +45° C
- Storage Temperature Range -10° ~ +85° C
- Humidity 95% max. RH

MECHANICAL DRAWING

L x W x H: 178 x 25 x 15 mm



Power Systems – The Power Solution

Web: www.Power-Systems.de
 Emai: Info@Power-Systems.de

Address: Dörnet 8 ; 74360 Ilsfeld-Auenstein / Germany
 Tel. : + 49 / 70 62 / 67 59 - 6
 Fax: + 49 / 70 62 / 67 59 - 80

DC-AC INVERTER UNIT

PS-TPC154C-10

(PRELIMINARY INFORMATION)

1.) APPLICATION

This inverter is designed to drive 4 CCFL lamps LCD Panel size: 15 to 20 inch.

2.) ELECTRICAL CHARACTERISTICS

Dimming function between 3,0...7,0mArms. Tolerance typ. +/- 10%; max. +/-15%

Input Voltage: Vcc: 12VDC (10,8...13,2VDC)

3.) REMOTE ON / OFF

0..1,2VDC = OFF; 3,0....5,5VDC = ON

ITEM	SYMBO	CONDITION			SPECIFICATION			UNITS
		VIN (V)	TA (°C)	R(kohm)	MIN	TYP	MAX	
OUTPUT CURRENT (Vadj=5V)	Io	12 +/- 10%	25 +/- 5	*	2,5	3	3,5	mArms
OUTPUT CURRENT (Vadj=0V)					6,5	7	7,5	mArms
INPUT CURRENT	Ii	12 +/- 10%	0~50	*	–	–	2100	mADC
FREQUENCY	F	12	0~50	*	40	50	60	KHz
STARTING VOLT	V/S	12	25	*	1500	–	–	Vrms
OUTPUT VOLT	Vo	12	25	*	650	700	750	Vrms

Power Systems – The Power Solution

Web: www.Power-Systems.de
 Email: Info@Power-Systems.de

Address: Dörnet 8 ; 74360 Ilsfeld-Auenstein / Germany
 Tel. : + 49 / 70 62 / 67 59 - 6
 Fax: + 49 / 70 62 / 67 59 - 80

DC-AC INVERTER UNIT

PS-TPC154C-10

(PRELIMINARY INFORMATION)

Material

No.	Part Discription	Qty.	Material	Note
1	PCB	1	UL94V-0 (CEM-3)	t=1,6mm
2	Connector CN1	1	S7B-PH-SM3-TB	JST
3	Connector CN2+4	2	SM02B-BHSS-1-TB	JST
4	Connector CN3+5	2	SM02(4.0)B-BHS-1-TB	JST

Pinning

Input side CN1

CN 1	Symbols	Ratings
1	V _{cc}	12V
2	V _{cc}	12V
3	GND	0V
4	GND	0V
5	ON/OFF	0~1,2V=off; 3,0~5,5V=on
6	GND	0V
7	ADJ	0~5V

Output side CN2..5

CN 2 + 4	SIGNAL
1	HIGHT VOLT.
2	HIGHT VOLT.

CN 3 + 5	SIGNAL
1	Low
2	Low

Power Systems – The Power Solution

Web: www.Power-Systems.de
 Email: Info@Power-Systems.de

Address: Dörnet 8 ; 74360 Ilsfeld-Auenstein / Germany
 Tel. : + 49 / 70 62 / 67 59 - 6
 Fax: + 49 / 70 62 / 67 59 - 80